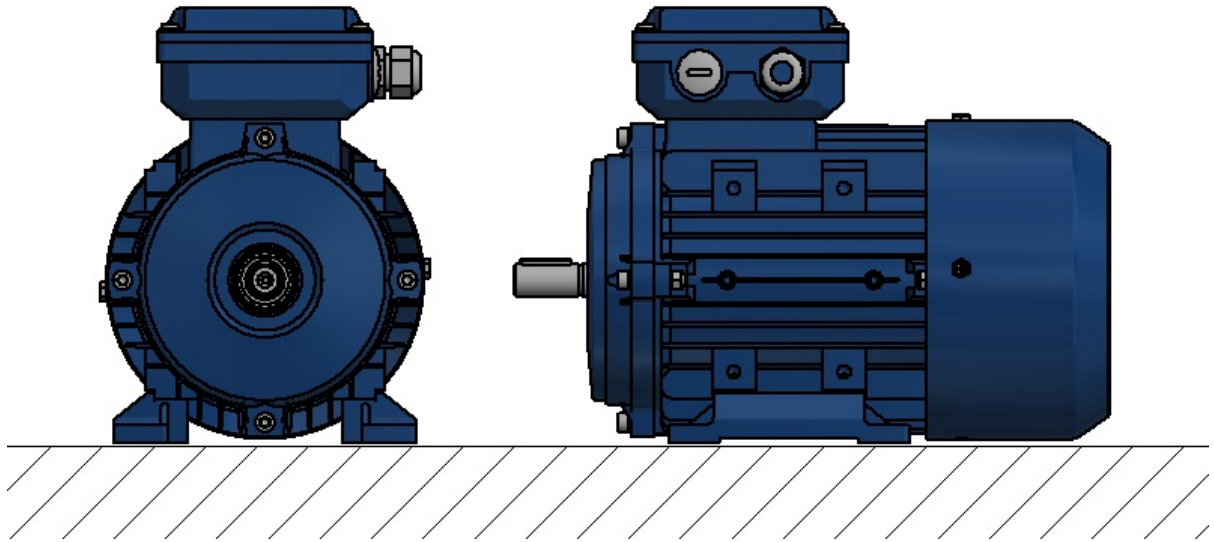
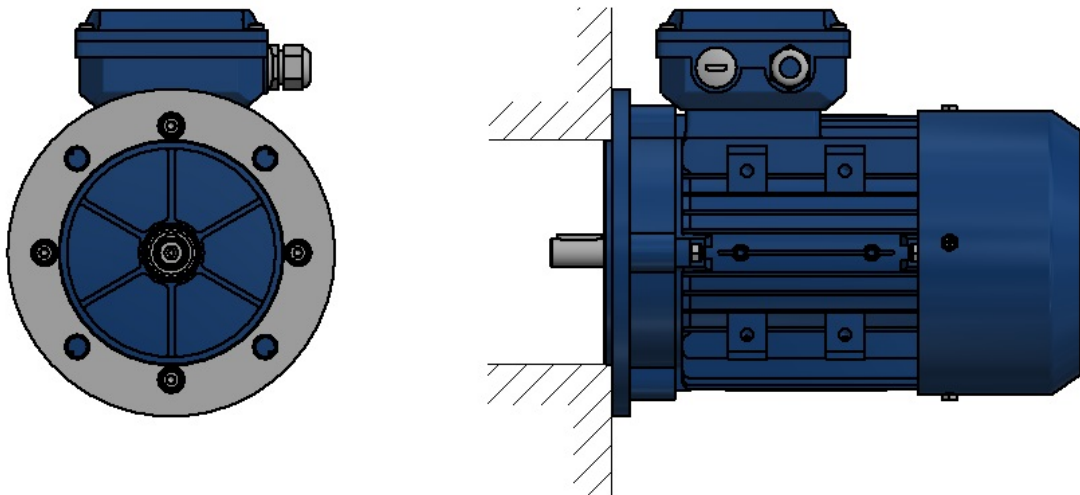


How to determine the mounting type

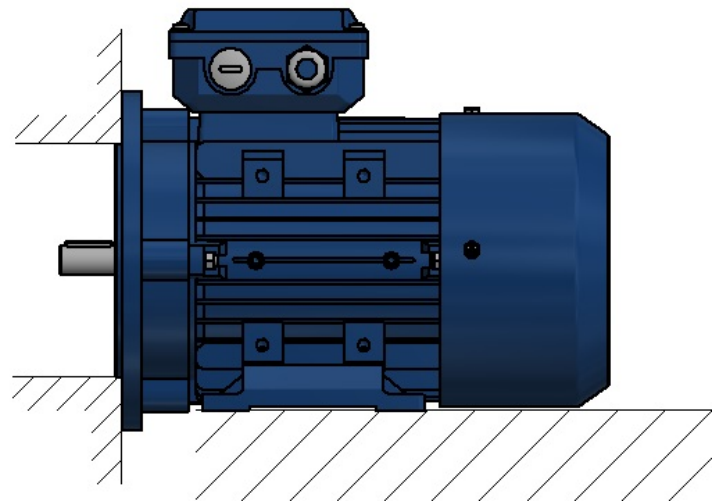
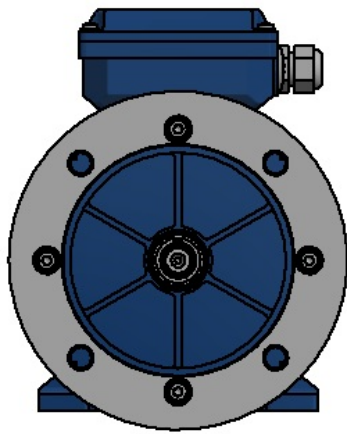
Available mounting types can be seen below.



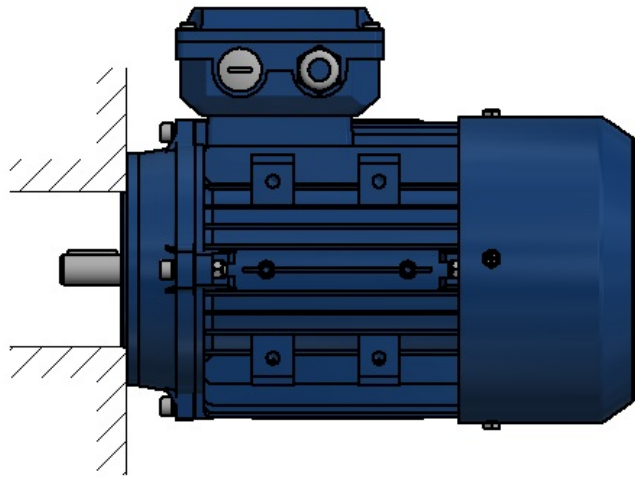
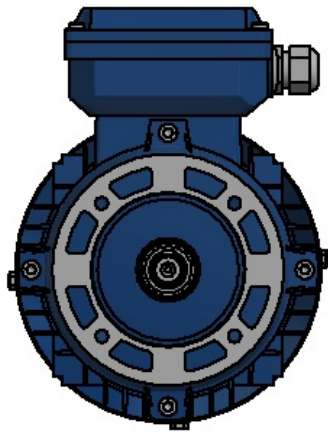
B3 motors foot mounted motors



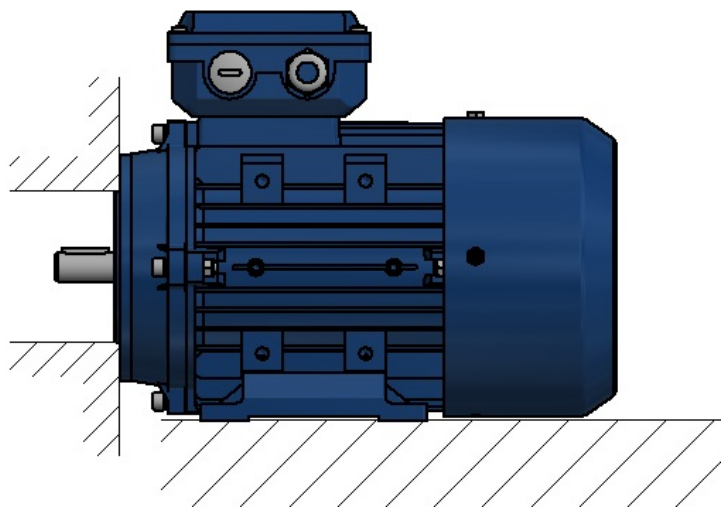
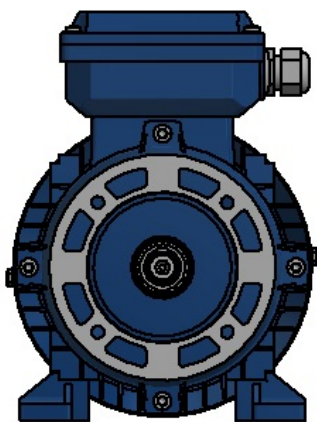
B5 Flange mounted motors



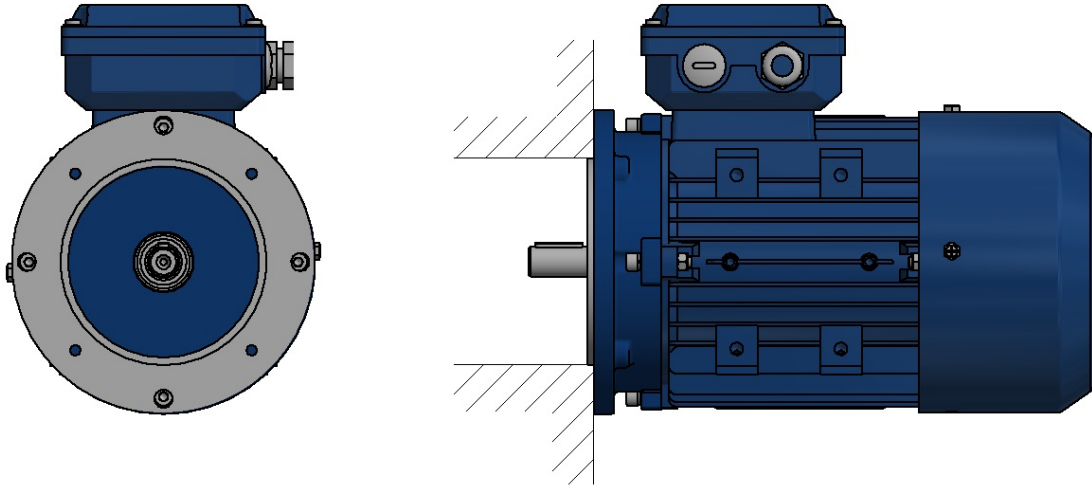
B35 (B3 and B5) Foot and flange mounted motor



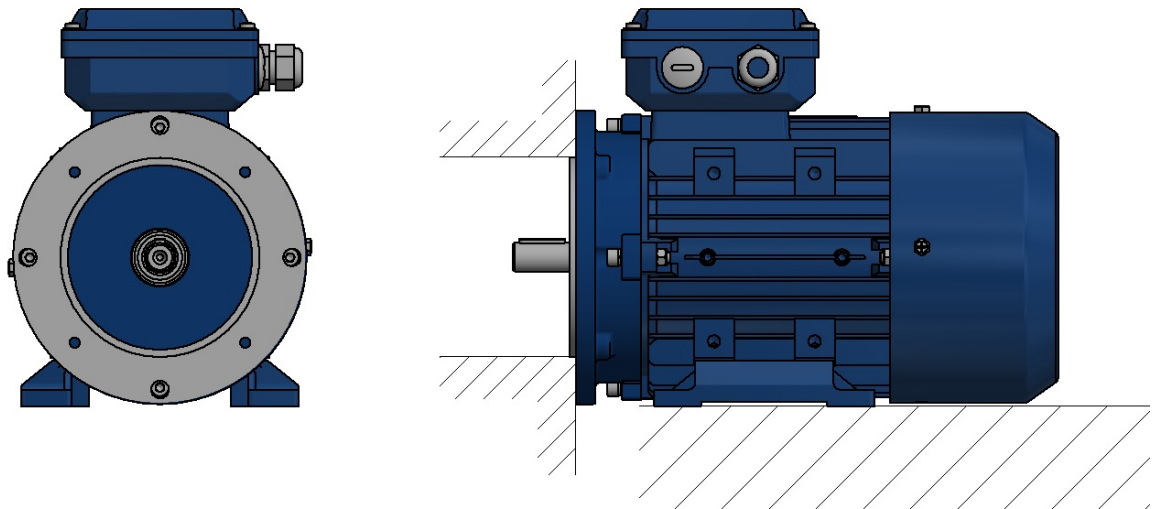
B14S C-face flange mounted motor



B34S (B3 and B14S) Foot and C-face flange mounted motor



B14L Large C-face flange mounted motor



B34L (B3 and B14L) Foot and Large C-face flange mounted motor