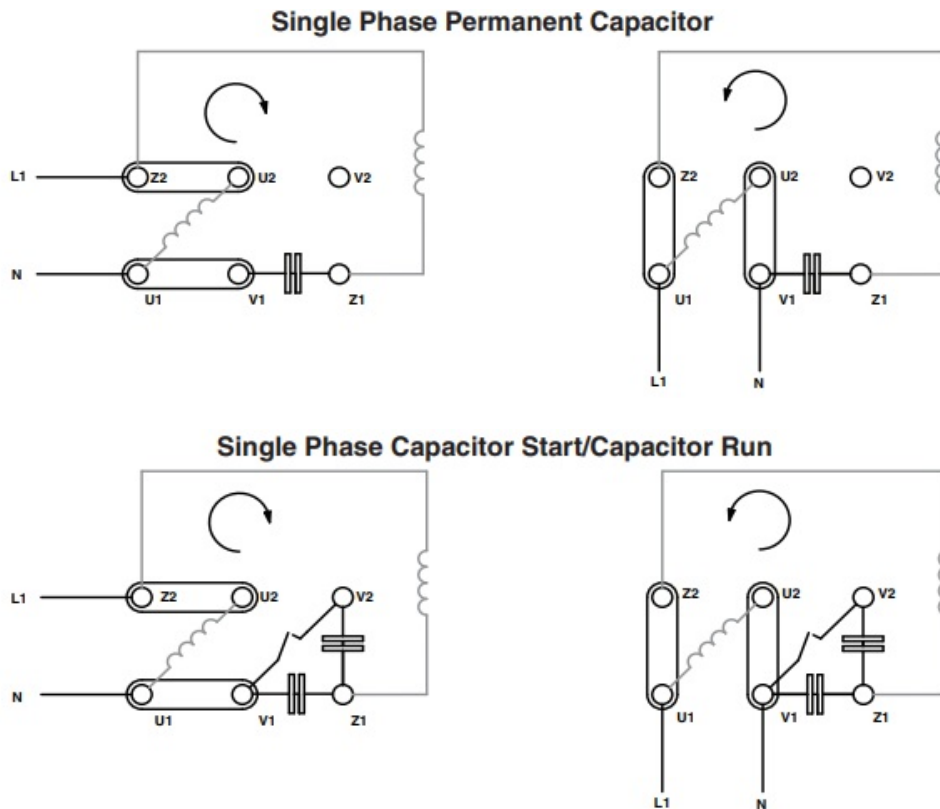


How do I reverse a single phase motor?

AmTecs single phase motors can be reversed by re-arranging connections to their terminals.

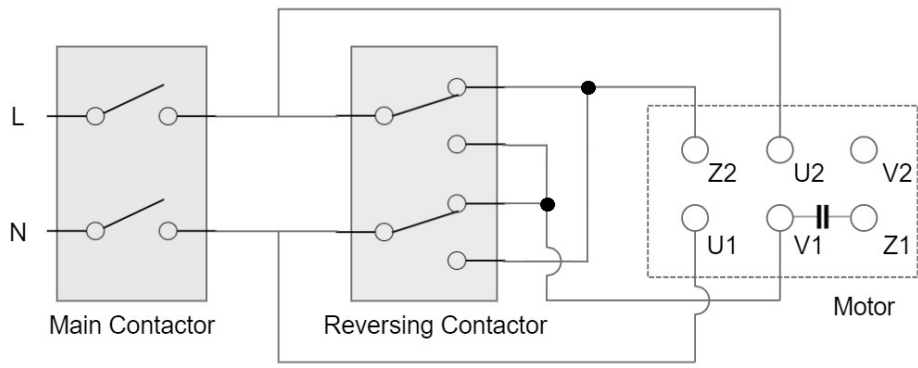
Motors are normally supplied from the factory wired for clock-wise rotation when looking at the shaft. Moving the links to the alternative position will result in the motor running the opposite direction.

Below is a diagram showing the position of the links for either forward or reverse direction.



The below circuit shows a basic diagram of how to implement switching between both forward and reversing of a single phase motor.

The reversing contactor is double pole double throw (DPDT) and the main contactor is a double pole single throw.



Note: It is important to not change the direction whilst the motor is running.